

 troubleshooting

- Lights turn off even though room occupied
- Check location of sensor—see detection diagram
 - Increase timing, typically 15 minutes for a living area
 - When still for a long time, double click up button

- Lights never turn off
- Is PIR activated-see switch settings
 - The lights will only turn off after no movement is detected for the time period. Is the time period set too long?

- The unit gets warm when on
- It is completely normal for the front of the unit to feel slightly warm.

- The lights won't dim up or down or flicker
- Are they compatible—see the guide on the first page?
 - Is the total wattage higher than the minimum load?
 - Ensure that when using low voltage lighting the transformer is dimmable

- The green-i locator is off or dim
- This is only on when the lights are off
 - The brightness of the locator can be changed by pushing and holding the down button when the lights are off
 - The locator turns off automatically to save energy when there is sufficient daylight—adjust the daylight setting knob to change the level

 ratings

Voltage	230VAC +/- 10%
Frequency	50Hz
Temperature	0°C to 35°C
Power	see ratings on front page
Compliance	EMC-2014/30/EU LVD-2014/35/EU

For further compliance information visit www.cpelectronics.co.uk/compliance



UK and international patents pending
EU registered design no. 000638069-0003, 000638069-0004

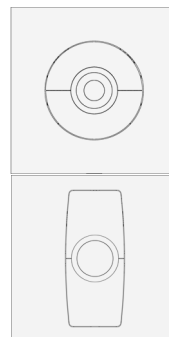


EMS 534520



FM 45789

C.P. Electronics Ltd
Brent Crescent
London
NW10 7XR, United Kingdom
Tel: + 44 (0) 333 900 0671
Fax: + 44 (0) 333 900 0674
www.cpelectronics.co.uk
enquiry@cpelectronics.co.uk



Part no.

G11DPC

G11DPT

- Single gang PIR Dimmer
- Replaces a standard light switch or dimmer
- Turns off automatically
- Turns on automatically
- Security mode
- Night light mode*
- Scene setting and soft on/off*

*only available using remote handset



Load

Mains tungsten GLS filament or halogen lamp
Min 60W Max 300W

Low voltage halogen with transformer Min 60W Max 300W

Transformer must be suitable for leading edge dimming

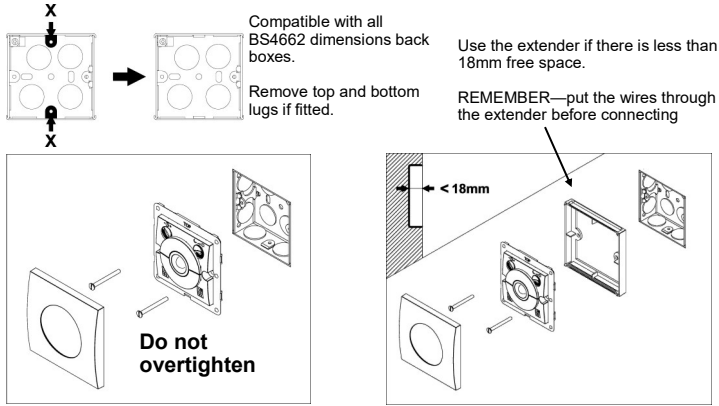
- Not suitable for Linear fluorescent lights
- Not suitable for standard compact fluorescent (CFL)
- Not suitable for low energy lamps like LED
- Not suitable for CFL dimmable lamps

This product requires a minimum load of 60W. Therefore it may not be suitable for use with low power lighting such as LED. If you wish to use less than the minimum load specified, please see below.

Most modern light fittings have capacitors fitted within the driver. If they are not present (or of sufficient value) the unit may fail to turn off properly or flicker. In this case fit one class-x capacitor per circuit with a minimum value of 1µF for every unit installed. The capacitor should be fitted across switched live and neutral. Note that it is not necessary to fit a capacitor on every fitting. For fluorescent lighting total power factor correction capacitance must not exceed 40µF.

installation

This product should be installed in accordance with the current IEE wiring regulations. If in doubt consult a qualified electrician.



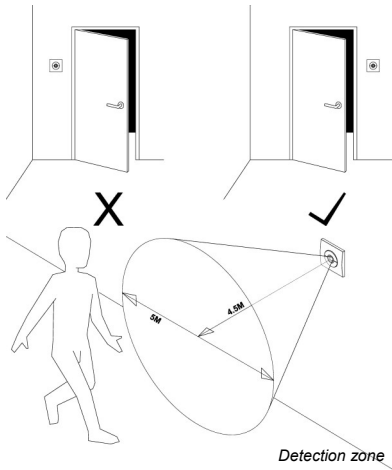
Location

It is important to locate the detector so that any occupants fall within the detection zone shown on the diagram.

Do not block the sensor with a door or other object.

Do not install above a radiator or other heat source.

Avoid direct sunlight entering the sensor.



Night light—off level, useful for children's bedrooms. Level can be overridden using down button.

- | | |
|---|-----|
| 1 | Off |
| 2 | 10% |
| 3 | 20% |
| 4 | 30% |

Battery change
Use only Lithium coin cell CR2025. Follow diagram on the back of the handset.



Security mode—lights turn on when dark for period of time below

- | | |
|---|---------|
| 1 | Off |
| 2 | 2 hours |
| 3 | 4 hours |
| 4 | 6 hours |

button not used

special features

Overload protection

An internal temperature sensor on the device ensures that if the unit is overloaded or the ambient temperature rating is exceeded then the no permanent damage is caused to the unit. When an excessive temperature is measured, the output will dim down until the correct temperature is restored. The green-i locator will flash to warn that this is happening.

Adaptive dimming control

To enable the correct dimming level to be selected easily by the user, the off button is disabled for a short period of time during adjustments, enabling it to be used just for down control.

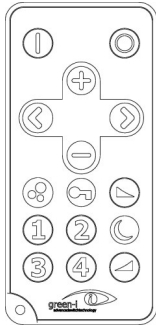
Security mode

If your house is vacant and you want the lights to give the impression that someone is in, use the security mode. Shortly after it gets dark outside (15 minutes) the lights will turn on, and then turn off after a preset period of time. The dimming level for security mode will be the last level used or 50% whichever is greater.

Soft on

To prevent the discomfort of bright lights turning on when you wake up, this mode senses the daylight level and if it is very dark will dim the lights up slowly for maximum user comfort.

remote handset



To set scene levels:

- adjust lights to desired level
- store scene using this sequence:



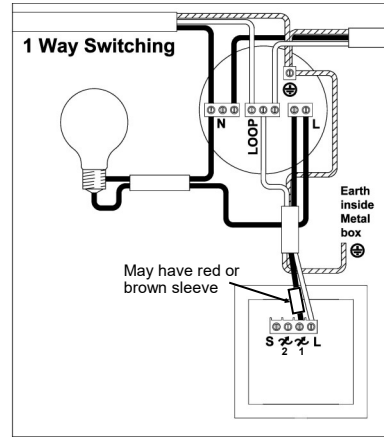
Soft on—how quickly the lights turn on

1	Immediate
2	2 sec
3	7 sec
4	depends on measured light level. If it is very dark, the lights will dim the lights up slowly for maximum user comfort.

Soft off—how quickly the lights turn off

1	Immediate
2	2 sec
3	7 sec
4	10 sec

wiring

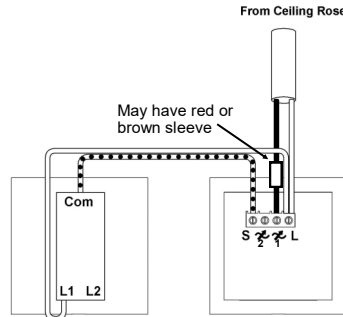


1 way switching
If the lights are controlled from one location only, wire as in the diagram.

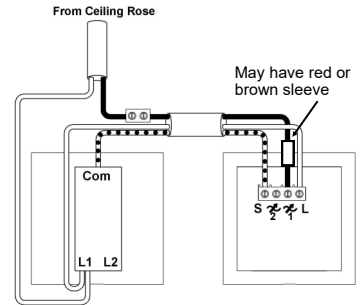
Neutral	█	Black or Blue
Live	█	Red or Brown
Earth	█	Yellow Green
Strapper	●●●	Yellow or Grey

2 way switching
Where lighting is switched from more than one location, this unit can be used with another single gang light switch. N.B. do not use with another dimmer switch. Depending on the installation, wire using one of the diagrams below.

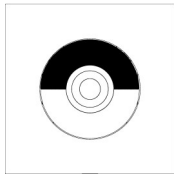
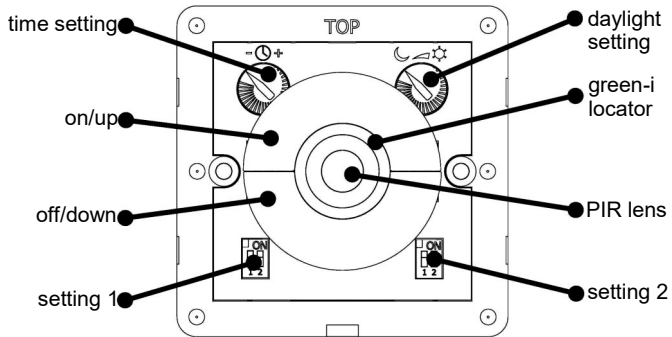
2 Way Switching—A



2 Way Switching—B



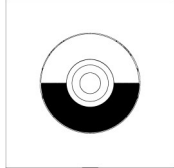
 operation



Short press—lights on

Long press—lights dim up

Double click—extends time period to 2 hours and flashes locator. Useful when occupant is still for a long period e.g. watching television



When lights on

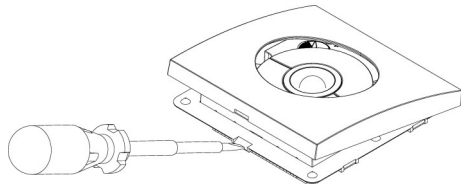
Short press—lights off

Long press—lights dim down

When lights off

Long press—change brightness of green-i locator

 setup



Remove front cover

Time setting 1min—30min

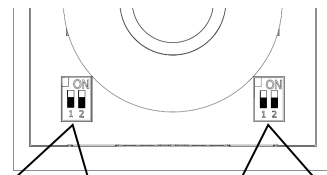
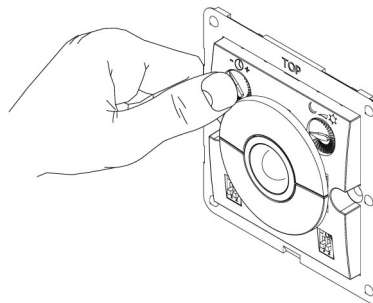
The lights will turn off after the time setting has finished. When a movement is detected, the time starts again. Clockwise = longer delay.

Recommended setting:
20 minutes living room, 10 minutes bedroom

Daylight setting

Auto on mode—in this mode only, if there is enough daylight the lights will not turn on automatically. Adjust the level using this setting. Clockwise = turn on with brighter daylight.

green-i locator—when there is enough daylight the locator turns off to save energy. Clockwise = turn on with brighter daylight.



ON OFF

1 2

PIR occupancy sensor deactivated. Dimmer only.

ON OFF

1 2

Manual on (use on button) :
Auto off (when nobody in the room, after time period).

ON OFF

1 2

Auto on (when somebody enters room):
Auto off (when nobody in the room, after time period).

ON OFF

1 2

Security mode activated. 4 hours time selected (see remote handset for details).

ON OFF

1 2

Security mode deactivated (can be overridden by remote handset).

ON OFF

1 2

Master reset. Flick switch on then off within 2 seconds to restore factory default settings.

ON OFF

1 2